



SEGATRONCHI

TECNOUTENSILI S.R.L.

Via IX strada n°03 - 95020 Catania - Italia

+39 095 712.53.23

www.segatronchi.it / segatronchi@gmail.com

CTR 550 E



3110 × 27–35 × 0,9 mm



Feed into the cut and back: motor-powered

Control panel: on a mobile bridge

Arm height adjustment: manual

Log handling: manual

The smallest machine in the offer. It is designed primarily for cutting smaller volumes of lumber. Ideal solution for family farms, joiners' workshops or small sawmills. Unlike CTR 550, this model is equipped with mechanical feed into the cut and back with continuous speed control.

That greatly increases comfort of the operator and the overall productivity. The feed is driven by an electric motor with worm gearbox controlled by a frequency converter. You can change the speed of travel simply by turning the potentiometer on the control panel.

End positions are secured against impact by means of automatic deceleration and stopping. The control panel is placed on a mobile bridge of the saw band arm. Thanks to that the operator has closer access to the workpiece when cutting.

Height is adjusted using a hand crank with adjustable scale



First machine of its type in the world that uses bimetallic saw band which is by default used in metal band saws. That brings the following benefits:

- very simple operation
- single saw band cuts all types of wood without tooth adjustment (sharpening, tooth setting)
- elimination of tedious, technically challenging sharpening and setting of teeth
- you can immediately start cutting wood in professional quality without any necessary experience
- bimetallic saw band easily cuts metal materials in the log such as nails, shrapnel or bullets
- professional three-side hardmetal saw band guidance in guiding heads and robust support of all rotary parts ensure high cutting accuracy and long service life of the saw band
- maximum accuracy, like in professional machines
- no need to purchase tooth sharpener and tooth setting machine
- easy accessibility and low cost of bimetallic saw bands

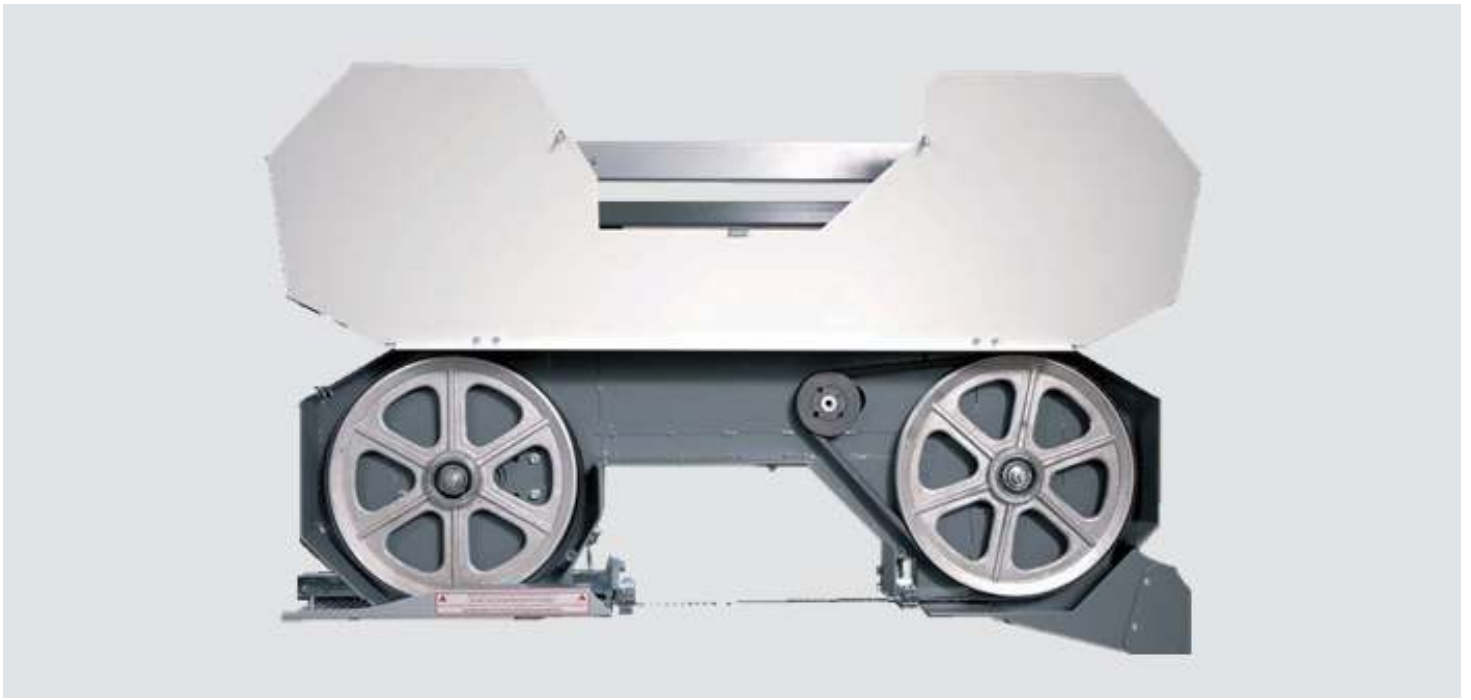
Total power input of the machine of 4,2 kW guarantees low operating costs and easy connection to mains. You may also use a special 35 x 0.9 mm bimetallic saw band instead of the 27 x 0.9 mm bimetallic saw band.

Similarly to the metal-cutting bimetallic saw band it doesn't require any sharpening or tooth setting. You can also fit your machine with standard saw-cutting bands (35 x 0.9 mm) identical to those used in higher professional models CTR 710, 800 and 950. Larger teeth in these saw bands allow for increase of productivity when cutting large diameter logs. However, in the above mentioned saw bands it is necessary to sharpen and set the teeth regularly.

The arm is fitted with aluminium running wheels with accurate balancing against vibrations. The wheel has a groove along its circumference. The groove holds a replaceable rubber-textile belt which creates an optimum contact area between the wheel and the saw band.

The sturdily mounted running wheel is powered through a wedge belt by a professional electric motor specially balanced against vibrations.

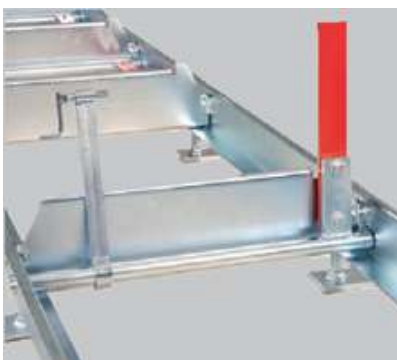
The tensioning wheel system moves within a solid cast iron guiding, which ensures long-term service life and setting accuracy even in long-term machine operation.



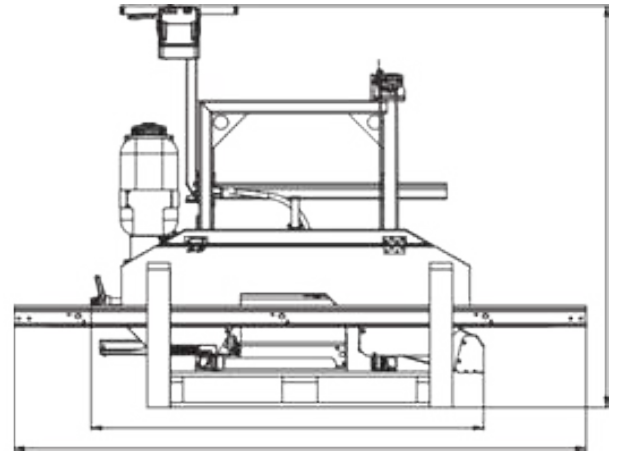
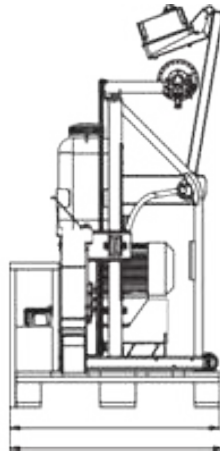
A precise, three-sided hard-metal guidance guides the saw band in the cut. This system can be fully adjusted in all directions and it ensures optimum saw band guidance.



Gravity cooling and lubricating of the band with an adjustable outlet before the cut ensure that the saw band is in optimum condition during cutting.



Stable running sections are sufficiently dimensioned for maximum diameters of logs as well. They were designed reflecting the practice, therefore designed to cope with very hard operating conditions. Cut length is virtually unlimited in all types of machines, it only depends on the length of running gear installed. They are fitted with retractable angles and hand-operated log clamps. The basic version of the machine includes 3 workpiece clamps and 3 retractable angles.



In order to minimize the transport costs the running gear sections are supplied dismantled.

CTR series present the latest trends in construction of log saw bands with a special emphasis on maximum accuracy and long-term service life of the machine while ensuring minimum costs. The machines are designed in an original modular execution which allows easy replacement or adjustment of all main technical sections and their individual parts. This in the long-term perspective reduces the maintenance costs and service times and therefore production stoppages as well.

SPECIAL ACCESSORIES



Track section contain 2,25 m

Contain in basic: 3x cross beams 2x angle arms
1x material clamp

Variable points:
1x angle arm
1x material clamp



Lever

For handling, loading and turning the log on the machine frame.



Material clamp with variable square



Additional arm of clamping



Hand Operated Grease Gun

For regular maintenance of the machine according to the lubrication plan.
Metal grease gun for 400g cartridges.
Equipped with a flexible pressure tube



Grease LV 2-3

400g cartridge for the grease gun

CONSUMABLE PARTS



Hard-metal Plate 20 x 0,9 mm



Round hard-metal 9 x 6 mm



Running Wheel Wedge Belt SPB 1500

Wheel Wedge Belt B 1260

SAW BAND SHARPENERS



Semiautomatic sharpener OR 50

An extraordinarily study and professional workmanship of the sharpener guarantees an accurate saw blade sharpening – the basic condition for productive and quality cutting on any bandsaw mill.

The stone grinding wheel is a thin grinding wheel that traces the tooth shape by means of an adjustable cam system. This system enables setting of any tooth shape and size.

Accessories:

- base
- halogen lamp
- cooling system



Semiautomatic sharpener OR 50 F

This sawblade sharpening machine is equipped with a frequency changer, which enables continuously variable speed of sawblade feed. In this way, the sharpening quality and productivity are increased.

A thin stone grinding wheel traces the tooth shape by means of an adjustable cam system. This system enables setting of any tooth shape and size.

Accessories:

- base
- halogen lamp
- cooling system



Semiautomatic sharpener OR 71 F

New generation of sawblade sharpener OR 71 F can sharpen blades of up to 70 mm. Completely new system of tooth shape setting. The sharpener has its own integrated cooling system, lamp and frequency converter to enable continuous adjustment of the sawblade feed speed.

Accessories:

- base
- stone grinding wheel (traces the tooth shape by means of an adjustable cam system and enables setting of any tooth shape and size).
- diamond paste (applied to the stone grinding wheel, improves roughness and extends the life of the grinding wheel).



RW 71

A sturdy cast iron design ensures a long life of the machine and the maximum accuracy of setting. Two teeth (right, left) or three teeth (right, left, straight) are set at the same time with a single lever movement. Price including a saw setting indicator. Saw band setting up 15 to 70 mm width.

Accessories:

- base



SK 35

They are designed to adjust the setting of individual teeth.

SAWBLADES

MAXWOOD STELIT

High-quality band saw is the second most important factor (just after the machine construction) for cutting speed and accuracy and maintenance of long service life. Choose your saw band from a wide selection of excellent professional saw bands.

CTR 550 E uses the saw band sized 3110 mm. The band is manufactured in following versions:



Saw blade dimension (mm)		Tooth pitch (mm)		Tooth shape	Tooth face angle
width	thickness	22	25		
32	0,9 / 1	•	•	WM	Standardly 10°. Another face angle on request.
35	0,9 / 1	•	•	WM	



Stellite application is the latest trend in the treatment of cutting edges on saw bands. Stellite is a cobalt-chromium based alloy containing other elements. It is weld directly on the carrier belt in the place of a tooth tip and it forms a compact saw band cutting edge. In contrast to frequently used high-speed steel it is much more resistant to blunting and therefore it doesn't require frequent replacement and sharpening. The band is supplied sharp.

Use of stellite saw bands brings a number of benefits:

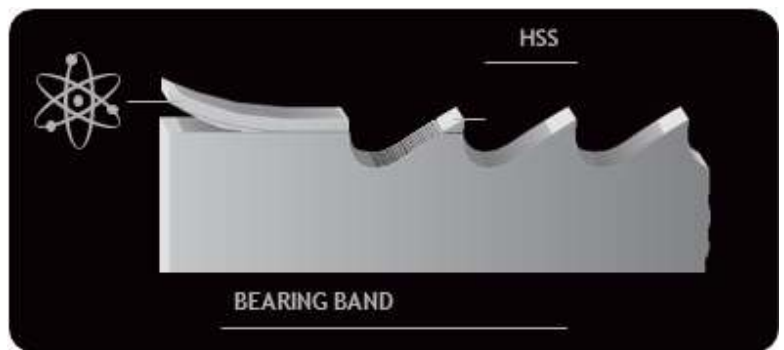
- can be used for cutting for up to two shifts without changing or sharpening
- stellite cutting edge is 2 mm wide which eliminates the need for setting of teeth
- allows higher rate of feed into cut
- very fine roughness of the cut surface
- possibility of cutting tropical wood of the highest hardness

MAXWOOD BIMETALIC



Construction of the saw band with a tooth tip made of tool steel which is typically used for cutting iron. The new technology allows significantly longer cutting time without the need for replacement or sharpening of the saw band.

The carrier saw band is made of spring steel alloyed with chromium and the tooth tip is made of HSS material with cutting edge hardness of 67 HRC. The band is supplied sharp, set and polished.



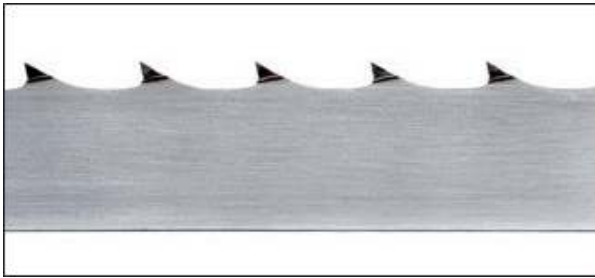
Saw blade dim. (mm)		Tooth pitch (mm)				Tooth shape	Tooth face angle
width	thickness	8,3	12,8	20,3	22		
27	0,9	•	•			H	10°
34	0,9				•	WM	10°



MAXWOOD

High-quality band saw is the second most important factor (just after the machine construction) for cutting speed and accuracy and maintenance of long service life. Choose your saw band from a wide selection of excellent professional saw bands.

CTR 550 E uses the saw band sized 3110 mm. The band is manufactured in following versions:

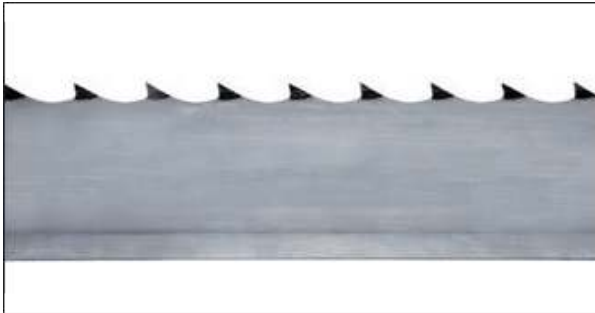


Saw blade dimension (mm)		Tooth pitch (mm)			Tooth shape	Tooth face angle
width	thickness	19	22	25		
32	0,9 / 1	•	•	•	WM	10°
35	0,9 / 1	•	•	•	WM	9°/10°/12°



Excellent saw band made of C75 alloy steel, manufactured specially for Pilous on the basis of our long-term experience. High teeth setting and geometry accuracy. Excellent combination of high durability and fatigue strength. The band is supplied sharp, set and polished. Unique process of induction hardening of the tooth tip ensures extraordinary service life of the cutting edge. Tooth cutting edge hardness from 43 up to 46 HRC.

MUNKFORS



Saw blade dimension (mm)		Tooth pitch (mm)			Tooth shape	Tooth face angle
width	thickness	19	22	25		
29	1	•			WM	10°
32	1,05	•	•	•	WM	10°
35	0,9 / 1	•	•	•	WM	10°



The Swedish company Munkfors is a leading company in the development of saw bands for woodworking industry. The manufacture process utilizes a unique, patented method of tooth shape cutting. Thanks to this technology the cutting edge is sharper, the band has exceptionally long service life and the cut is smoother. Carrier steel strip UDDEHOLM ensures excellent flex life and durability of the saw band. The saw band is sharp and set, the tooth tips are hardened.

MAXWOOD-S



Saw blade dimension (mm)		Tooth pitch (mm)			Tooth shape	Tooth face angle
width	thickness	19	22	25		
32	0,9 / 1	•	•	•	WM	10°
35	0,9 / 1	•	•	•	WM	10°



Excellent, durable carrier C75 alloy steel with the addition of nickel achieves hardness of 41–43 HRC and tooth tips are therefore not further heat-treated. The band is characterized by high flex life. The teeth of the saw band aren't set or sharpened